

HA275 - 600/800

HYDRAULIC BOLLARD WITH BUILT-IN PUMP

HA275 automatic bollards are the top line products of the **ännT** range.

Current models are the result of our 40 years' experience in the security field and in excess of 20 years in the specific design and manufacture of bollards.

The HA275 bollard is recommended for use in any pedestrian areas, private parkings, business parkings, private driveways, business driveways, commercial driveways.

The HA275 is available with a large number of optional accessories that allow you to customize your system according to your security needs.



HA275 - 600/800

AVAILABLE ITEMS

BOLLARD HA275 - STAINLESS STEEL PAINTED

BOLLARD HA275 - STAINLESS STEEL BRUSHED

PIT IN ALUZINC FOR HA275 - COUNTERFRAME AND BRACKETS
ONE PIT FOR EACH BOLLARD

CONTROL UNIT FOR HA275

MULTILED FLASHING LIGHT- 25 LED POINTS

BUZZER ACOUSTIC SIGNAL FOR AUTOMATIC BOLLARD

REFLECTING ADHESIVE STRIP - WHITE (NO-LOGO)

HEAD WITHOUT LOGO FOR HA275

PAINTING WITH RAL COLOUR ON REQUEST

BIODEGRADABLE OIL FOR HYDRAULIC PUMP

HEATING RESISTANCE FOR BOLLARDS - TRANSFORMER AND THERMOSTAT
ONE RESISTANCE FOR EACH BOLLARD

RADIO RECEIVER

RADIO TRANSMITTER TWO-CHANNEL

TRAFFIC LIGHT WITH TWO LIGHTS (GREEN-RED)

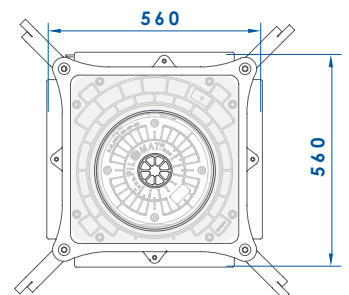
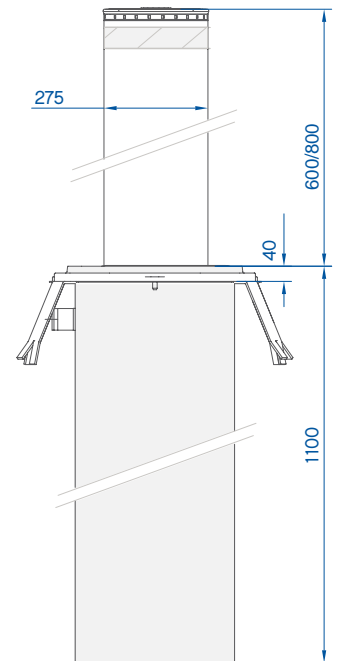
INDUCTIVE DETECTOR FOR LOOPS

INDUCTIVE LOOPS

TIMER PROGRAMMER

INDUCTIVE CARD READER

LOCK SELECTOR



HA275 - 600/800

MOVING CYLINDER	NORMAL STEEL FE370 - AISI 304 STAINLESS STEEL
MOVING CYLINDER DIAMETER	275mm
MOVING CYLINDER HEIGHT	600mm / 800mm
MOVING CYLINDER THICKNESS - NORMAL STEEL	6mm
MOVING CYLINDER THICKNESS - STAINLESS STEEL	AISI 304: 6mm - AISI 316: 4mm
MOVING CYLINDER - NORMAL STEEL FINISH	ANTI-CORROSION TREATMENT - STANDARD PAINTING GREY ANTHRACITE
MOVING CYLINDER - STAINLESS STEEL FINISH	ANTI-CORROSION TREATMENT - STANDARD PAINTING GREY ANTHRACITE OR BRUSHED
MOVING CYLINDER - STAINLESS STEEL OTHER FINISHES	RIBS ON CYLINDER'S SURFACE
REFLECTING ADHESIVE STRIP	YES - HEIGHT 55mm
RISING SPEED	15cm/s
LOWERING SPEED	25cm/s
MANUAL EMERGENCY LOWERING	YES (ALSO FOR VERSION WITH AUTOMATIC LOWERING IF POWER FAILED)
SAFETY REVERSAL PRESSURE SWITCH	YES
CONNECTION LINE TO CONTROL UNIT	STANDARD 10m (MAX. LENGTH 80m - WITH HEATING RESISTANCE MAX. 50m)
VOLTAGE FOR CONTROL UNIT	230/400 Vac 50/60Hz
HYDRAULIC PUMP	BUILT-IN THE BOLLARD
PROTECTION CLASS	IP67
TYPE OF USE	INTENSIVE - LIFE AVERAGE 3.000.000 MOVEMENTS - 2000 MOVEMENTS/DAY
IMPACT RESISTANCE (WITHOUT DEFORMATION)	40.000 J
BREAKOUT RESISTANCE	250.000 J
OPERATING TEMPERATURE	-40 °C +70 °C (FOR TEMPERATURES LOWER THAN -10 °C USE THE HEATING RESISTANCE)

