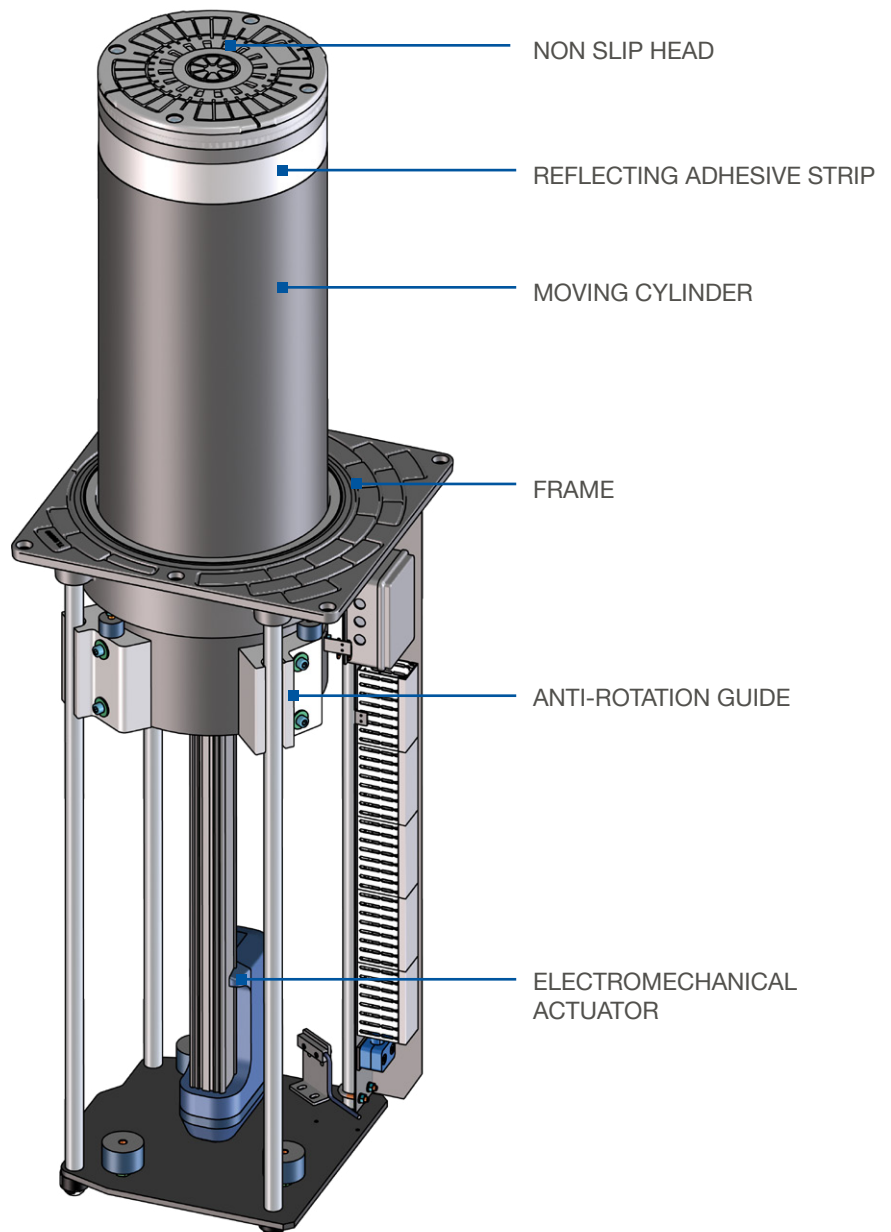


EMA275 - 600 / 800

ELECTROMECHANICAL BOLLARDS

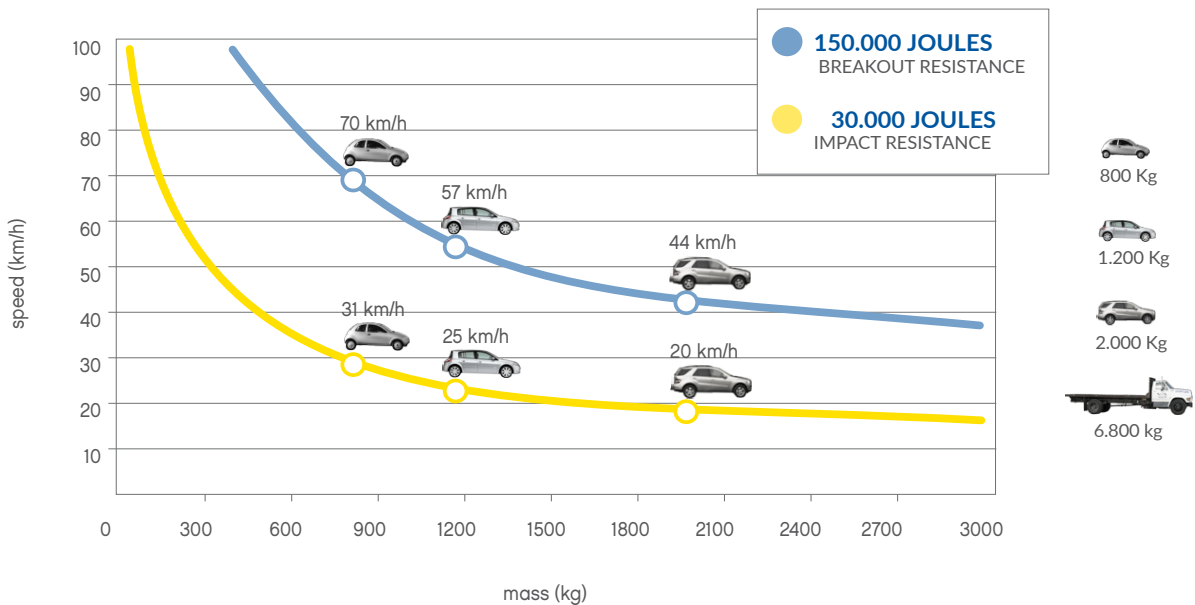
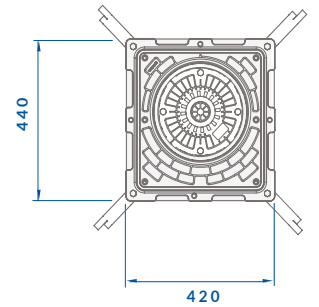
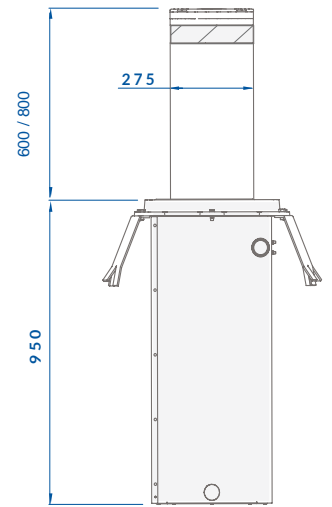
önnT 275/EM 600A are automatic electromechanical bollards designed by the önnT staff, who have worked in the retractable technologies industry since more than 20 years. The 275/EM 600A bollard is recommended for use in pedestrian areas, private parkings, business parkings, private driveways, business driveways, commercial driveways.

The 275/EM 600A is available with a large number of optional accessories that allow you to customize your system according to your security needs.



EMA275 - 600 / 800

MOVING CYLINDER	NORMAL STEEL FE 370 - STAINLESS STEEL AISI 304
MOVING CYLINDER DIAMETER	275mm
MOVING CYLINDER HEIGHT	600mm / 800mm
MOVING CYLINDER THICKNESS	4mm
MOVING CYLINDER NORMAL STEEL FINISH	ANTI-CORROSION TREATMENT - STANDARD PAINTING GREY ANTHRACITE
MOVING CYLINDER STAINLESS STEEL FINISH	BRUSHED
REFLECTING ADHESIVE STRIP	INCLUDED IN THE SUPPLY - HEIGHT 55mm
RISING SPEED	12cm/s
LOWERING SPEED	12cm/s
EMERGENCY LOWERING IF POWER FAILED	OPTIONAL (WITH ADDITIONAL ACCUMULATOR ART. TM023.0072)
SAFETY REVERSAL PRESSURE SWITCH	INCLUDED IN THE SUPPLY
CONNECTION LINE TO CONTROL UNIT	10m INCLUDED IN THE SUPPLY - MAXIMUM LENGTH 20m (in case of lengths greater than 10m or in presence of additional kit, the line must be replaced by the installer according to our specifications).
VOLTAGE FOR CONTROL UNIT	230/400 Vac 50/60Hz
ELECTROMECHANICAL MOTOR	BUILT-IN THE BOLLARD
POWER CONSUMPTION ELECTROMECHANICAL MOTOR	140W (MAX. 250W) - 0,6A (MAX. 1,1A)
PROTECTION CLASS	IP 67
TYPE OF USE	100 MOVEMENTS/DAY - LIFE AVERAGE 200.000 MOVEMENTS
IMPACT RESISTANCE (WITHOUT DEFORMATION)	30.000 J
BREAKOUT RESISTANCE	150.000 J
OPERATING TEMPERATURE	-20°C +60°C (FOR LOW TEMPERATURES SEE HEATING RESISTANCE)
CONTROL UNIT	Art. TM0230070 - MAX. 3 BOLLARDS



annt
Perimeter Protection Products
100% MADE IN ITALY

Ontario Bollards Inc.

USA: 300 International Drive, Suite 100 PMB10086, Williamsville, New York, 14221
Canada: 53 Armstrong Ave, Unit 4, Georgetown, Ontario, L7G 4S1
Toll Free: 844-891-8559, Local: 289-891-8559, Fax: 905-248-3629
www.ontariobollards.com

275/EM 600A_DATASHEET.16 REVIEW 16/11/2016